
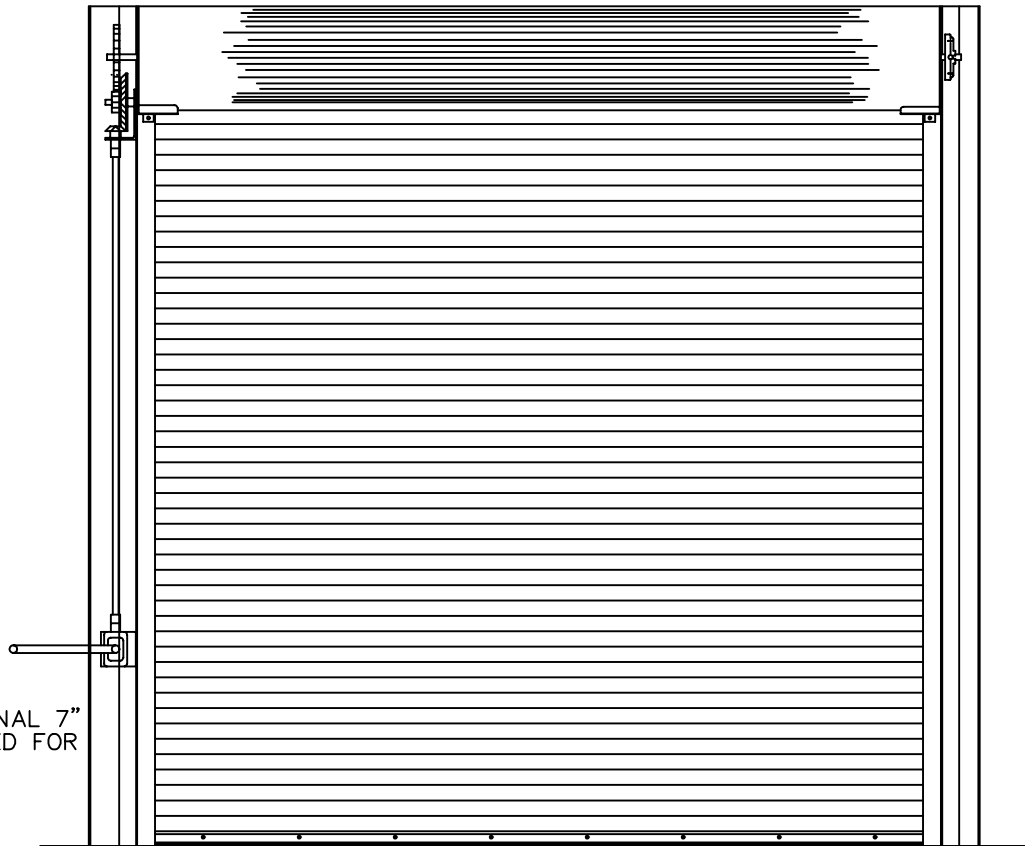


DOOR NUMBER	QTY	OPENING		MODEL	GA.	"A"	"B"	"C"	"D"	"E"	"F"	"G"	"H"	"J"	MOUNT TYPE	OPER.	DRIVE	JAMB TYPE	GUIDE	JOB:	
		WIDTH	HEIGHT																		
DISTRIBUTOR:																					
CONTRACTOR:																					
ARCHITECT:																					

DURACOIL MODEL FF/SC/LC/IF/FP
BETWEEN JAMB MOUNT ABOVE LINTEL
CRANK OPERATION

DURACOIL



ADDITIONAL 7"
REQUIRED FOR
HANDLE

LEFT HAND DRIVE
(SHOWN)

RIGHT HAND DRIVE

"ELEVATION"

DOORS SHALL BE ROLLING STEEL MODEL DURACOIL "STANDARD"
(STANDARD SERVICE DOOR) AS MANUFACTURED BY RAYNOR GARAGE
DOORS.

BRACKETS- STEEL PLATES, MIN. 3/16"(4.8mm) THICK, BOLTED TO
GUIDES FOR MOUNTING CURTAIN AND BARREL ASSEMBLY. DRIVE
SIDE BRACKET SHALL BE FITTED WITH A SEALED BALL BEARING
FOR LONG LIFE.

BARREL- STRUCTURAL STEEL PIPE, MINIMUM 4-1/2"(114.3mm)
O.D.X.120" (3.0mm) WALL THICKNESS AND DESIGNED TO LIMIT MAXIMUM
DEFLECTION, UNDER LOAD, TO .03"(0.76mm) PER FOOT OF SPAN.

SPRING COUNTERBALANCE- THE CURTAIN SHALL BE COUNTERBALANCED
BY MEANS OF OIL TEMPERED, HELICAL TORSION SPRINGS, GREASE-
PACKED AND MOUNTED ON A SINGLE CONTINUOUS STEEL TORSION
SHAFT. SPRINGS SHALL BE COMPRESSION SPRING DESIGN TO
FACILITATE ANY COUNTERBALANCE MAINTENANCE. CAST IRON SPRING
ANCHORS SHALL TRANSFER FULL SPRING LOADING TO THE BARREL.

HOOD- SHALL BE 24 GA. COMMERCIAL QUALITY HOT-DIPPED GALVANIZED
STEEL. HOOD TO HAVE ROLLED EDGES TO PROVIDE RIGIDITY.

GUIDES- STRUCTURAL STEEL ANGLES, MIN. 3/16"(4.8mm) THICK. TOP OF
GUIDE ANGLES FLARED AND PROVIDED WITH 4 REMOVABLE CURTAIN STOPS.

WINDLOAD- 20 LB./SQ. FT. STANDARD. UNLESS OTHERWISE NOTED.

CRANK- BY MEANS OF GRAY IRON REDUCTION GEARS AND 5/8" (15.9mm)
SQUARE SHAFT DOWN TO A GEAR BOX WITH HANDLE. MAXIMUM PULL 35
POUNDS. (PADLOCK BY OTHERS.)

MODEL FF/SC/LC

CURTAIN- INTERLOCKING SLATS ROLLFORMED FROM COMMERCIAL QUALITY
HOT DIPPED GALVANIZED (G-90) STEEL PER ASTM A-653. FINISH SHALL
BE A TWO COAT BAKED ON PRIME PAINT APPLIED PRIOR TO ROLLFORMING.
MALLEABLE IRON GALVANIZED ENDLOCKS FASTENED TO ALTERNATE SLATS
WITH TWO ZINC PLATED STEEL RIVETS PER SLAT. ELIMINATES LATERAL
MOVEMENT AND PREVENT SLATS FROM WEARING AT SURFACES COMING
IN CONTACT WITH GUIDES. BOTTOM OF CURTAIN SHALL BE REINFORCED WITH
TWO STEEL ANGLES, MINIMUM 2"x2"x3/16"(50.8mmX50.8mmX4.8mm).
SINGLE CONTACT BOTTOM ASTRAGAL.

MODEL IF

CURTAIN -INSULATED- INTERLOCKING SLATS ROLLFORMED FROM COMMER-
CIAL QUALITY HOT DIPPED GALVANIZED (G-90) STEEL PER ASTM A-653.
EACH SLAT SHALL HAVE A 3/4" (19.1mm) THICK, POLYISO FOAMBOARD
CORE PLACE WITHIN THE FULL LENGTH OF THE SLAT. BACKING COVER TO
BE A 24GA. HOT-DIPPED GALVANIZED STEEL. FINISH SHALL BE A TWO
COAT BAKED ON PRIME PAINT APPLIED PRIOR TO ROLLFORMING. MALLE-
ABLE IRON GALVANIZED ENDLOCKS FASTENED TO ALTERNATE SLATS WITH
TWO ZINC PLATED STEEL RIVETS PER ENDLOCK. ELIMINATES LATERAL
MOVEMENT AND PREVENTS THE SLATS FROM WEARING AT SURFACES COM-
ING IN CONTACT WITH GUIDES. BOTTOM OF CURTAIN SHALL BE REINFORC-
ED WITH TWO STEEL ANGLES, MINIMUM 2"x2"x3/16" (50.8mmX50.8mmX
4.8mm). THE CURTAIN "U" VALUE IS .16 AND THE "R" VALUE IS 6.24
(SPECIFICATIONS REFLECT CALCULATED CHARACTERISTICS OF CORE MATL.).

MODEL FP

CURTAIN- SHALL CONSIST OF INTERLOCKING FLAT SLATS ROLLFORMED
FROM NOT LESS THAN 24GA. COMMERCIAL QUALITY HOT DIPPED GALVA-
NIZED (G-90) STEEL PER ASTM A-653. SLATS SHALL BE PUNCHED WITH
A SERIES OF HOLES ACROSS THEIR ENTIRE LENGTH, PROVIDING 31% OPEN
AREA PER SQUARE FOOT OF DOOR. BOTTOM OF CURTAIN SHALL BE RE-
INFORCED WITH TWO STEEL ANGLES, MINIMUM 2"x2"x3/16" (50.8mmX
50.8mmX4.8mm). SINGLE CONTACT BOTTOM ASTRAGAL.

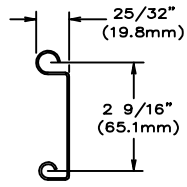
LOCKING- SLIDE BOLT TO ENGAGE GUIDE WITH PROVISION FOR
PADLOCK. (PADLOCK BY OTHERS) QUANTITY REQUIRED

LOCKING- FIVE PIN TUMBLER CYLINDER WITH LOCK BARS TO ENGAGE
THE GUIDE. QUANTITY REQUIRED

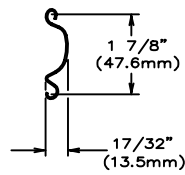
LOCK-OPERABLE FROM INTERIOIR ONLY.

LOCK-OPERABLE FROM EXTERIOIR ONLY.

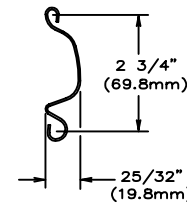
DOOR NUMBER	QTY	OPENING		MODEL	GA.	"A"	"B"	"C"	"D"	"E"	"F"	"G"	"H"	"J"	MOUNT TYPE	OPER.	DRIVE	JAMB TYPE	GUIDE	JOB:	
		WIDTH	HEIGHT																	DISTRIBUTOR:	
																					RAYNOR
																					CONTRACTOR:
																					ARCHITECT:
																					NR:2901881



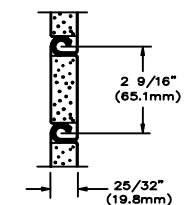
SLAT MODEL "FF"



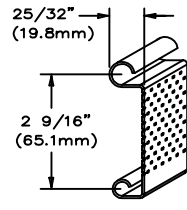
SLAT MODEL "SC"



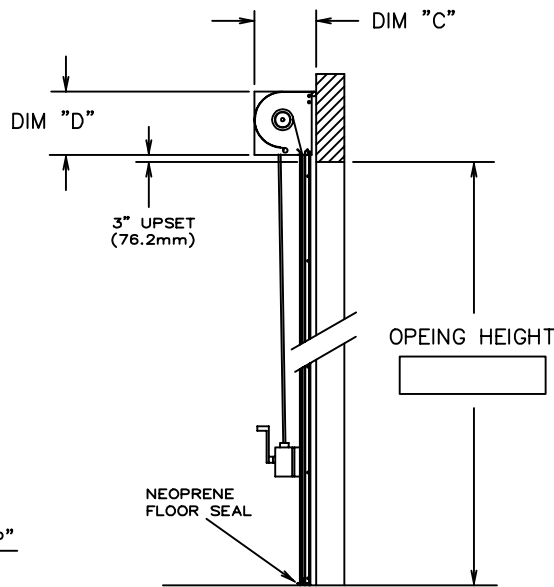
SLAT MODEL "LC"



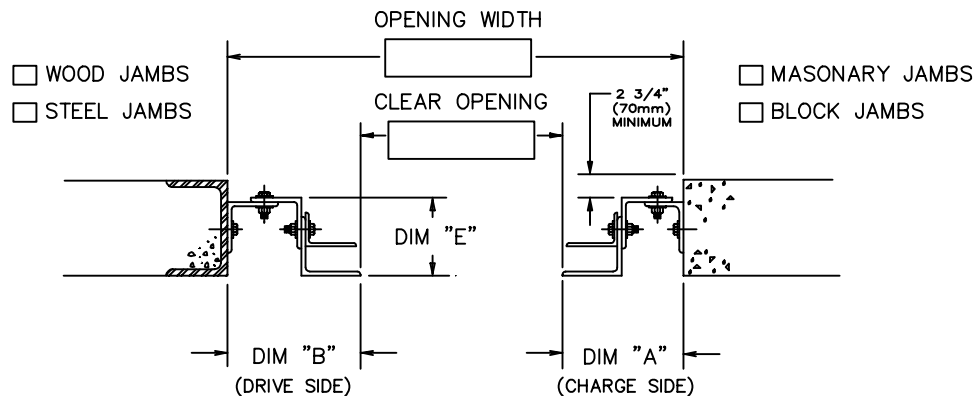
SLAT MODEL "IF"



SLAT MODEL "FP"



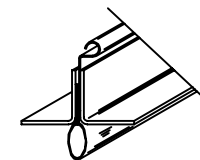
"SECTION THRU-OPENING"



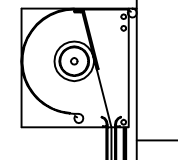
"GUIDE DETAIL"



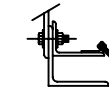
"GUIDE VINYL SEAL"



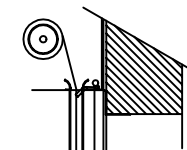
"NEOPRENE FLOOR SEAL"



"RUBBER HOOD BAFFLE"



"GUIDE BRUSH SEAL"



"LINTEL BRUSH SEAL"